

PLEASE CHECK A BOX IF THE HANDING IS DIFFERENT THAN SPECIFIED IN TITLE ex. (SR9000FV-D)

- D = DOUBLE
- RHS = RIGHT HAND SINGLE
- LHS = LEFT HAND SINGLE

FCD160 - RHS

QUANTITY: 1

FINISHED OPENING SIZE:
36 W X 84 H
REGULAR

DOOR COLOR:
CLEAR

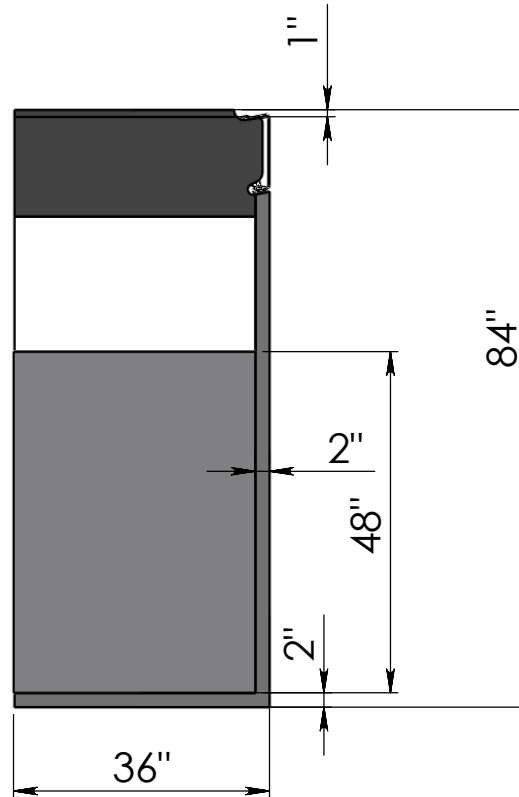
WINDOW: W X H
FLEXIBLE PVC

VINYL PLATE
48 VINYL PLEASE ADVISE

GASKETS: FULL

SPECIFICATION

The FCD160 door panel is constructed from 0.160" thick clear PVC with glued and riveted hinge pocket design. 48" high vinyl scuff plate standard with 3" reinforcement strip at top of plate. It operates on the top mounted only Eliason gravity hinging system.



ALL MEASUREMENTS ARE IN INCHES

Approved By:

Signature:

TAG:



Ph: 800-828-3655
Fx: 800-828-3577
www.eliasoncorp.com

PROPRIETARY AND CONFIDENTIAL
THE INFORMATION CONTAINED IN THIS DRAWING IS THE SOLE PROPERTY OF CMI DOORS. ANY REPRODUCTION IN PART OR AS A WHOLE WITHOUT THE WRITTEN PERMISSION OF CMI DOORS IS PROHIBITED.

PROJECT:

P.O.#

SOLD TO:

ACK#