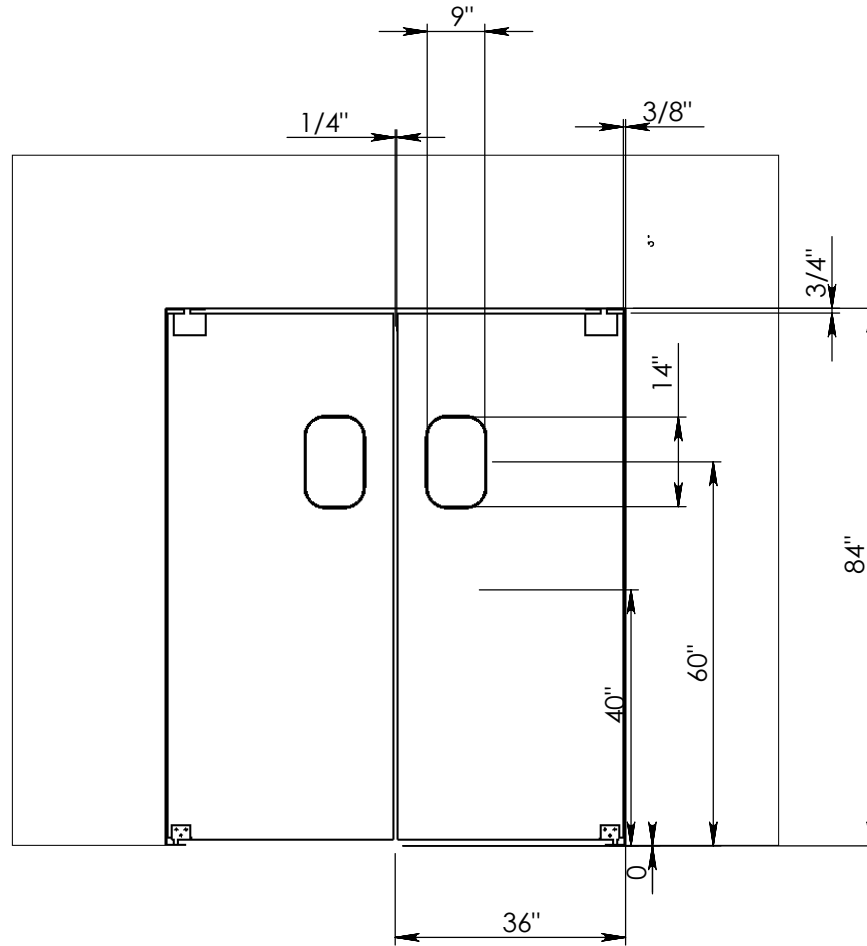


**SPECIFICATION**

Door Body: 0.063" thick  
tempered aluminum alloy with  
delta formed vertical edges  
Finish: Satin anodized (both  
sides)

**LWP - 3  
RHS**



QUANTITY: 1
FINISHED OPENING SIZE: 72" W X 84" H REGULAR
DOOR COLOR: ALUMINUM
WINDOW: 9" X 14" SINGLE PANE BLACK RUBBER MOLDING CLEAR ACRYLIC
HINGE: EZ SWING
JAMB GUARD: NONE MATERIAL: GASKETS: NO

Approved By:

Signature:

TAG:



Ph: 800-828-3655  
Fx: 800-828-3577  
www.eliasoncorp.com

**PROPRIETARY AND CONFIDENTIAL**  
THE INFORMATION CONTAINED IN THIS  
DRAWING IS THE SOLE PROPERTY OF  
ELIASON CORP. ANY REPRODUCTION  
IN PART OR AS A WHOLE WITHOUT THE  
WRITTEN PERMISSION OF ELIASON  
CORP. IS PROHIBITED.

SOLD TO:

PROJECT:

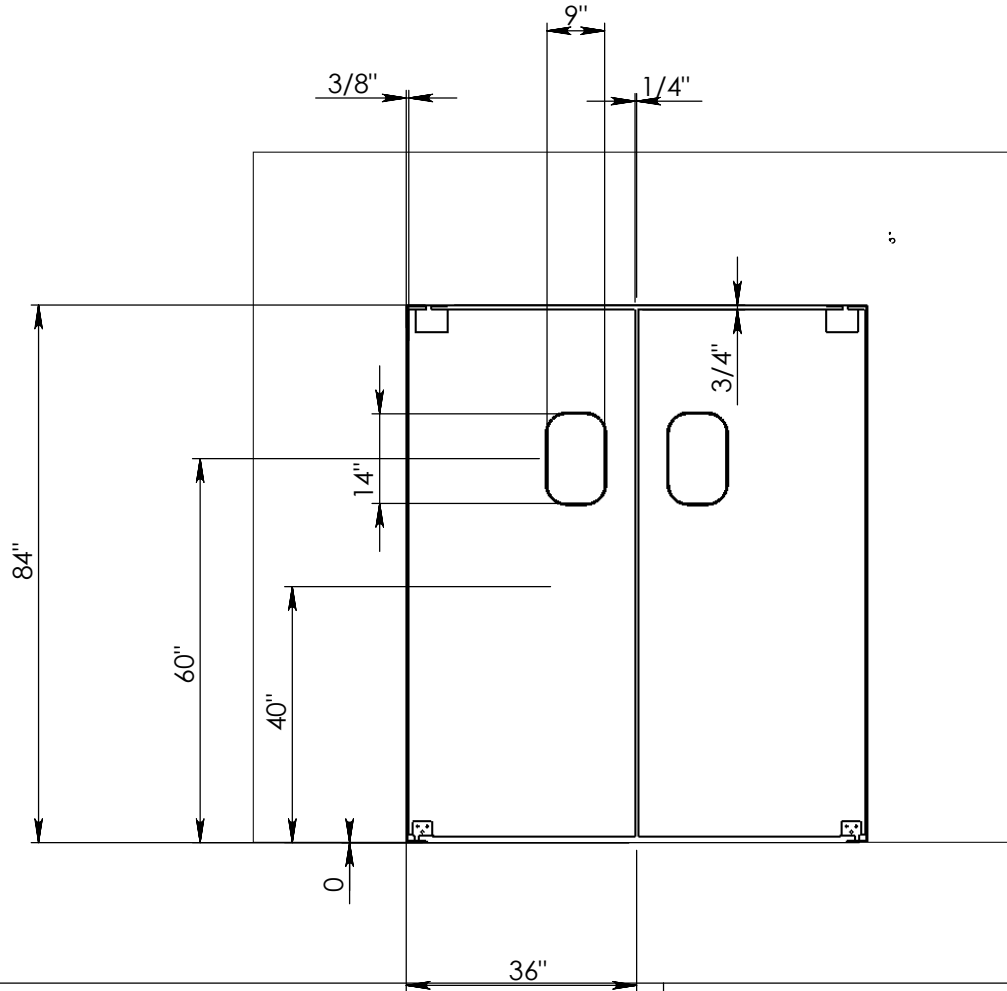
ORDER #:

PO #:

**SPECIFICATION**

Door Body: 0.063" thick tempered aluminum alloy with delta formed vertical edges  
 Finish: Satin anodized (both sides)

# LWP - 3 LHS



QUANTITY: 1
FINISHED OPENING SIZE: 72" W X 84" H REGULAR
DOOR COLOR: ALUMINUM
WINDOW: 9" X 14" SINGLE PANE BLACK RUBBER MOLDING CLEAR ACRYLIC
HINGE: EZ SWING
JAMB GUARD: NONE MATERIAL: GASKETS: NO

Approved By:

Signature:

TAG:



Ph: 800-828-3655  
 Fx: 800-828-3577  
[www.eliasoncorp.com](http://www.eliasoncorp.com)

**PROPRIETARY AND CONFIDENTIAL**  
 THE INFORMATION CONTAINED IN THIS DRAWING IS THE SOLE PROPERTY OF ELIASON CORP. ANY REPRODUCTION IN PART OR AS A WHOLE WITHOUT THE WRITTEN PERMISSION OF ELIASON CORP. IS PROHIBITED.

SOLD TO:

PROJECT:

ORDER #:

PO #:

